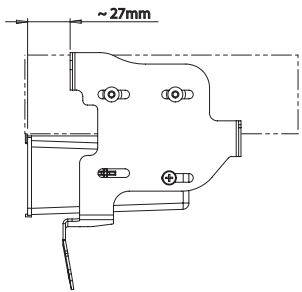
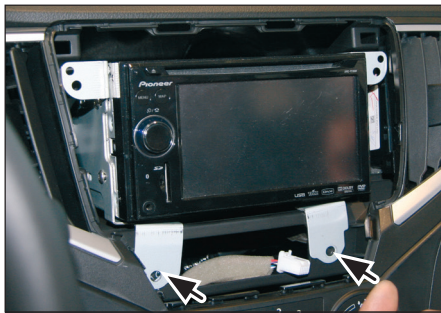


Attach mounting frames and pocket to facia plate and 1-DIN radio



We recommend a distance about ~27mm to the pocket front surface of the 1-DIN head unit.



8. Connect all required circuit points and cables. Place head unit and fix it with the OEM screws (see arrows)



9. Place facia plate until it snaps in. Reinstall everything in reverse order to finish installation.



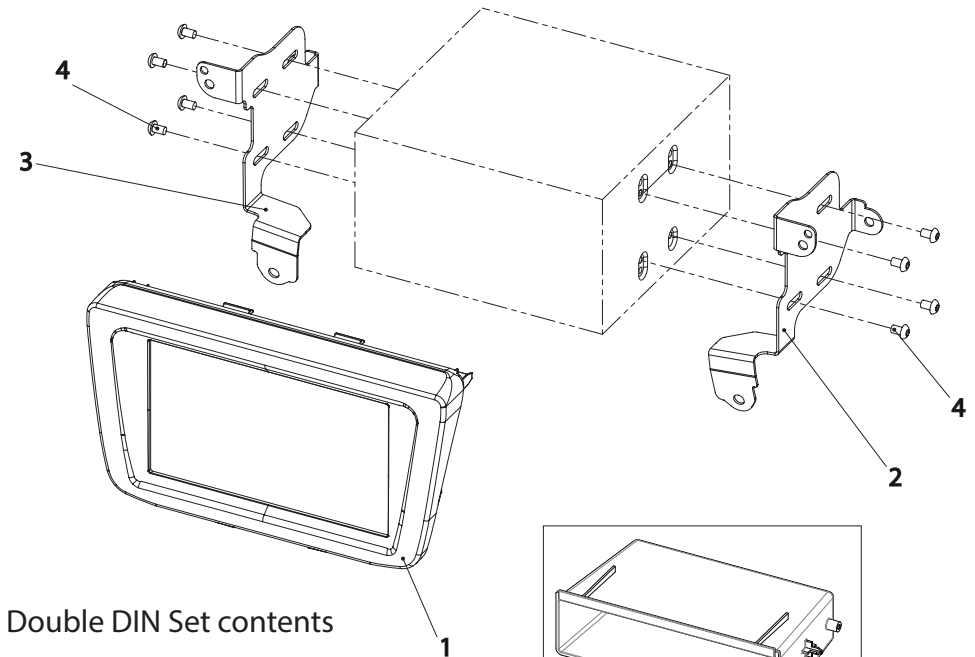
Installation Manual Double DIN Kit

version	part-no.	colour
2-DIN	381294-15-1	black
2-DIN with pocket	281294-15-1	
2-DIN with Inbay® pocket	241294-15-1	

• Suzuki Baleno (EW) 04/2016->

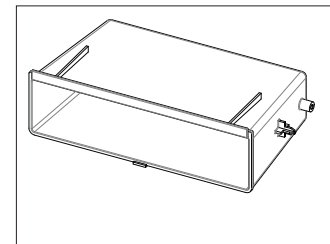
Compatible with these double DIN devices

Double DIN Navigation



Double DIN Set contents

- (1) Facia Plate
- (2) Mounting Bracket Right
- (3) Mounting Bracket Left
- (4) flat headed screw



pocket (only 281294-15-1)



1. Suzuki Baleno
OEM dash board



2. Use masking tape in order
to protect the surface from
scratches. (see photo)

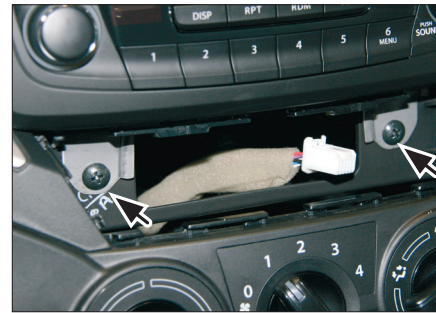
Unclip and removes switches
of the center console carefully



3. Remove plugs - remove
switches by pulling them
towards your direction



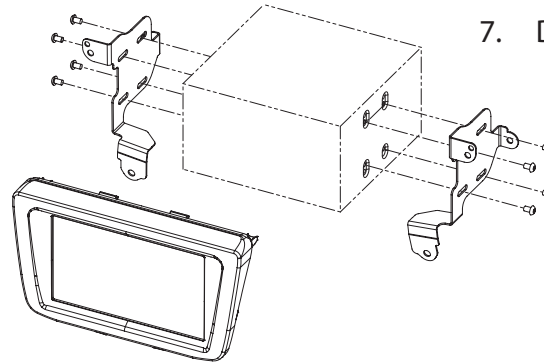
4. Remove panel (see arrows)



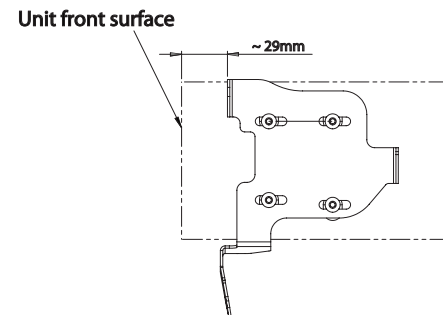
5. Remove screws



6. Unplug all cables
Remove OEM head unit



7. Double-DIN radio preparation
Attach mounting frames
and fascia plate to
to double DIN radio



We recommend a distance
about ~29 mm to the front
surface of the double DIN
head unit.